

Metal-edge filters with clean-side emptying

Typical areas of application

- Foodstuffs
 - Chocolate
 - Honey

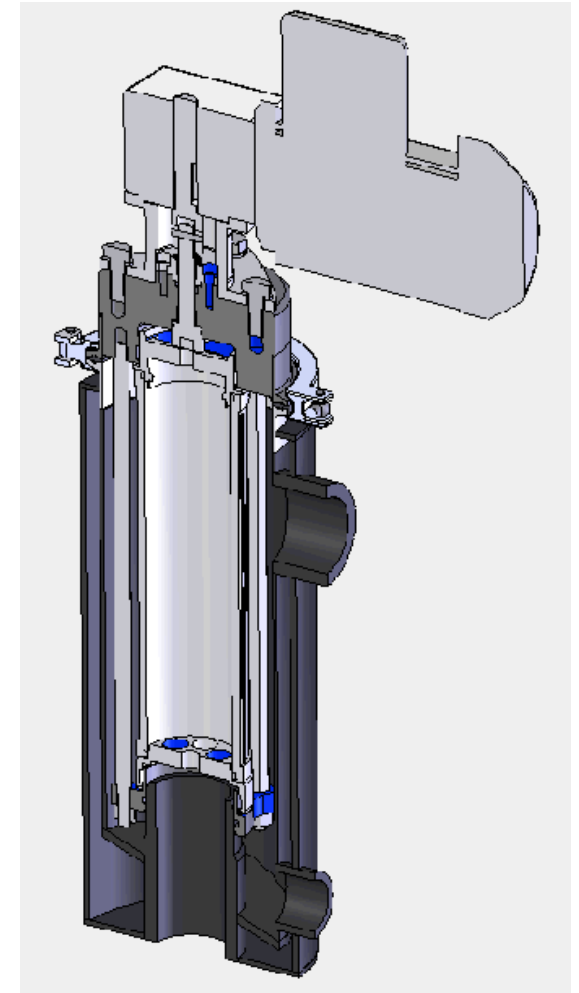
- General applications in the chemical industry
 - Product filtration
 - Cooling and circuit water



Metal-edge filters with clean-side emptying

Design and function

- Design
 - Welded housing
 - One filter element in housing
 - Cleaning mode: automatic or manual
 - Drain valve, automatic or manual (optional)
- Function
 - Solids/liquid separated on the outer surface of the filter element
 - Metal-edge filters are mechanically cleaned by scrapers
 - Solid particles discharged via the clean side
 - Cleaning is effected on the basis of differential pressure, set time intervals, or continuously



Metal-edge filters with clean-side emptying

Overview of model sizes

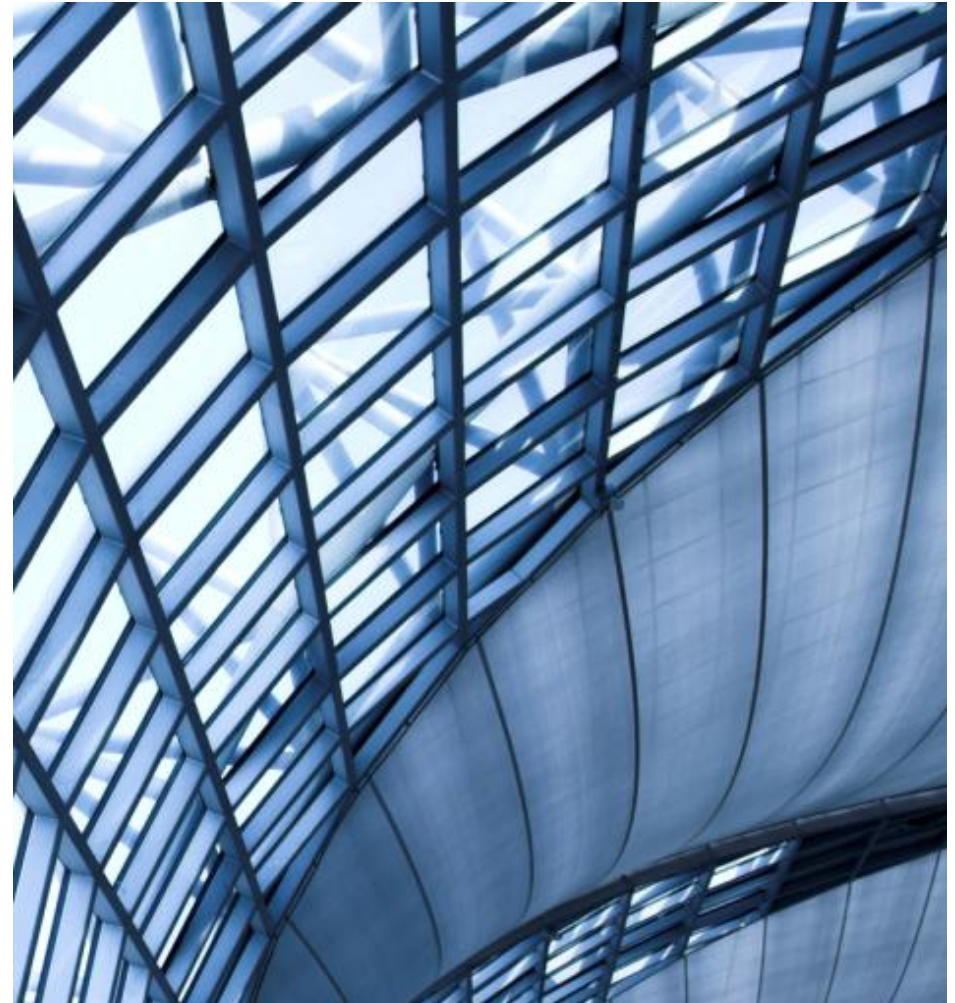
- AF 42 S
 - Connection size: G1½" thread
 - Volume flow: 15–200l/min
 - 1 filter element installed
 - Pressure level(s): 6bar



Metal-edge filters with clean-side emptying

Unique selling propositions

- Compact design with maximum possible effective filter surface
- Energy efficient
- Flow-optimized design with few flow dead spaces
- Housing easy to clean
- Housing closed using screw clamps
- FDA-approved materials

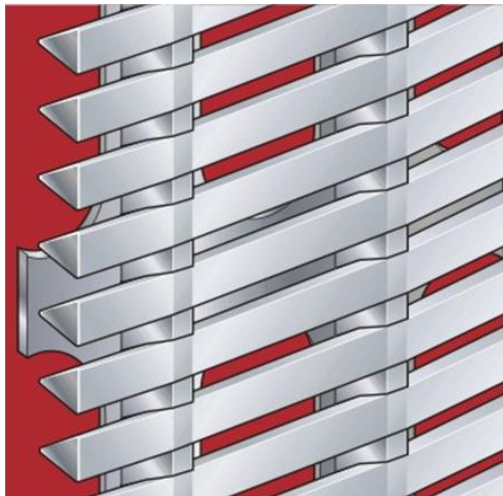


Metal-edge filters with clean-side emptying

Filter elements

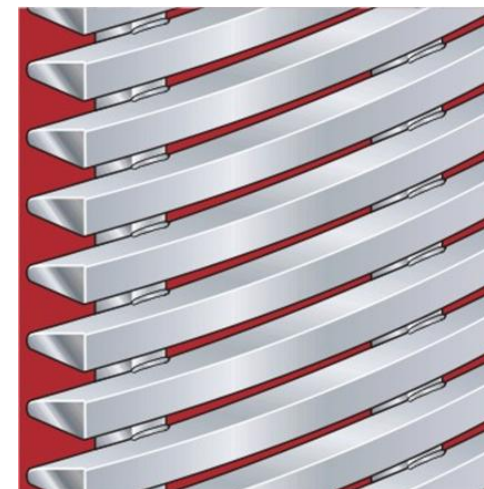
■ Coiled filter cartridge

- Asymmetric design; high-precision, large effective filter surface
- Ratings: 50- 2000 μm
- Opening angle: 60°
- Differential pressure resistant up to 40bar
- Several material combinations possible



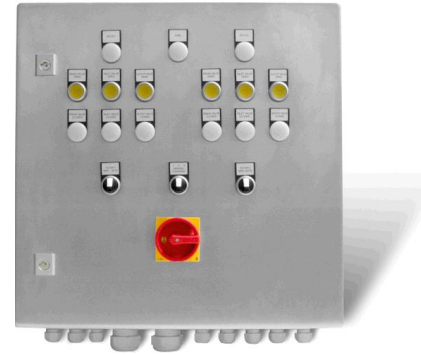
■ Welded filter cartridge

- Continuous gap, high mechanical durability
- Ratings: 160–8000 μm
- Opening angle: 10–15°
- Differential pressure resistant up to 10bar
- Material: 1.4571



Metal-edge filters with clean-side emptying Accessories

- Adapter flange
- Drain valves
- Digital differential pressure gauge with 2 adjustable contacts and analog output
- Controls in control cabinet available in different configurations (customized)
- TÜV and ATEX approved
- Heating jacket for vapor or thermal fluids



Metal-edge filters with clean-side emptying

Documentation and contact

- For further technical details, please consult the data sheets by visiting our website at:

www.mahle-industrialfiltration.com

- At your service worldwide – for current contact information, please visit us at:

www.mahle-industrialfiltration.com

